

SMK-Link™ Electronics

# Universal Projector Remote Control



VP3720



# Table of Contents

---

Regulatory Information .....	1
Getting Started .....	3
Setting your Projector .....	4
Entering Library Codes.....	4
Learning From Another Remote.....	5
Searching For A Code .....	6
Show Current Code.....	7
Factory Reset.....	8
Remote Control Layout.....	9
Appendix: Library Codes List.....	11

# Regulatory Information

---

## Regulatory Compliance

This device complies with Part 15 of the FCC Rules. Operation is subject to the following two conditions:

(1) This device may not cause harmful interference, and (2) This device must accept any interference received, including interference that may cause undesired operation.

## FCC Certification

This equipment has been tested and found to comply with the limits for a Class B digital device, pursuant to Part 15 of the FCC rules. These limits are designed to provide reasonable protection against harmful interference when the equipment is operated in a residential installation. This equipment generates uses and can radiate radio frequency energy and, if not installed and used in accordance with the instructions, may cause harmful interference to radio communications. However, there is no guarantee that interference will not occur in a particular installation. If this equipment does cause harmful interference to radio or television reception, which can be determined by turning the equipment off and on, the user is encouraged to try to correct the interference by one or more of the following measures:

- Reorient or relocate the receiving antenna.
- Increase the separation between the equipment and receiver.

- Consult the dealer or an experienced radio/TV technician for help.

Notice: Any changes or modifications not expressly approved by the party responsible for compliance could void the user's authority to operate the equipment. Extension cables are not recommended, if used, they must be shielded in order to comply with the emission limits.

## IC Certification

The term "IC" before the certification/registration number only signifies that the Industry Canada technical specifications were met.

## Declaration of conformity

Hereby, SMK-Link Electronics Corporation declares that this product is in compliance with the essential requirements and other relevant provisions of Directive 1999/5/EC. All trademarks and registered trademarks mentioned in this document are the property of their respective owners. Features and specifications are subject to change without notice.

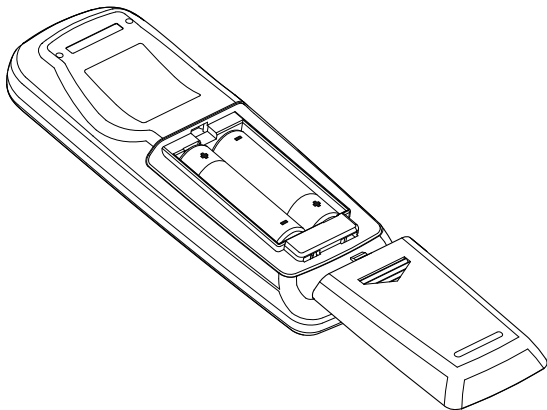
© 2013 SMK-Link Electronics, Inc.

# Getting Started

---

The Universal Projector Remote control uses two AA batteries.

- Remove the battery cover by pressing down on the battery door and sliding in the direction of the arrow.
- Remove any wrapping from two AA batteries and insert them into the back of the remote control. The orientation of the batteries is indicated in the battery compartment.
- Replace the battery cover before using the remote control.



# Setting your Projector

---

## Entering Library Codes

To test a four-digit code to see if it controls your projector, please complete the following steps. Available codes are listed in the Appendix. Some brands have multiple codes which work for different models.

- Press and hold both the **Up** and **Down** arrows simultaneously for 3 seconds.
- The status LED will turn off while both keys are pressed but will turn solid red after three seconds.
- As you enter each digit of the code, the status light will briefly turn off. Do not enter the next digit until the status light is on.

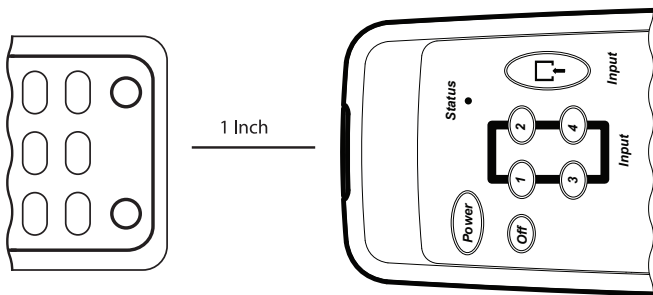


After entering the code, the status light will go off. Taking longer than 30 seconds, pressing any other key or entering an invalid code will cause the status light to blink quickly three times.

Test your library choice to make sure it is working. If it is not working, try the next code. Not all keys will be supported for all models. Unused keys can be customized or ignored.

## Learning From Another Remote

If you have access to the original remote control for your projector or wish to learn from other remote controls, place the two remote controls end pointing towards one another approximately one inch apart.



- To enter learning mode, press and hold both the **Left** and **Right** arrows simultaneously for 3 seconds. The status LED will turn off while both keys are pressed but will turn solid red after three seconds.
- Repeat the following steps until you are done customizing.
  - Tap the key you wish to customize on your Universal Projector Remote. The status LED will flash.

- On the other remote control, press and hold the key you wish the Universal Projector Remote to learn.
  - If learning was successful, the status LED will flash once. If learning was unsuccessful, the status LED will flash three times.
- Once you are done customizing, wait 30 seconds to exit learning mode.

## Searching For A Code

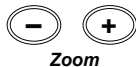
If you have tried all of the codes for your projector and are unable to find a match, you can also search the entire database quickly for a compatible code.

- Turn the projector on and wait for it to warm up.
- Press and hold both the **Up** and **Down** arrows simultaneously for 3 seconds.
- The status LED will turn off while both keys are pressed but will turn solid red after three seconds.
- Press the **Menu** key to enter Automatic Code Search mode. The LED will blink off one second and turn on again.





- Press the **Zoom +** key to search through codes from the beginning of the Library in ascending order.
- Press the **Zoom -** key to search through codes from the beginning of the Library in descending order.
- Every time the **Zoom +** or **Zoom -** key is pressed, the IR code corresponding to the **Menu** key will be transmitted for one second.
- If the projector brings up the menu screen, press the **Select** key to store, the current code.
- If no key is pressed for 30 seconds or a key other than **Zoom +** or **Zoom -** is pressed, the LED will flash 8 times and searching will be cancelled.



## Show Current Code

Complete the following steps to display the currently library code.

- Press and hold both the **Up** and **Down** arrows simultaneously for 3 seconds.
- The status LED will turn off while both keys are pressed but will turn solid red after three seconds.

- Press Select, wait one second then press Select a second time.

The LED will then flash the code digit by digit with a one second delay between each digit. The library code 1 2 1 3 would blink the status LED.

Flash [Delay] Flash Flash [Delay] Flash [Delay] Flash Flash Flash

## Factory Reset

The Universal Projector Remote Control can be reset to factory default. All user programmed codes and learned codes will be erased.

- Press and hold both the **Up** and **Down** arrows simultaneously for 3 seconds.
- The status LED will turn off while both keys are pressed but will turn solid red after three seconds.
- Press the **Off** key
- Wait one second then press the **Reset** key.

Factory default settings will be set and LED will go OFF to indicate a successful factory reset.

# Remote Control Layout

---

Note: Not all brands support all keys. Unused keys may be ignored or customized through learning.

**Power:** Turn the projector on. Some brands use this key for both power on and power off.

**Off:** Some brands of projectors have a dedicated key to turn the projector off.

**1, 2, 3, 4:** These are used for entering library codes or to directly select the input on some brands and models of projectors.

**Input:** This switches between the various input options, VGA, HDMI, Composite, etc.

**Menu:** Brings up the projector menu.

**Select:** Used to choose the currently highlighted item and to enter various setup modes.

**Back:** Moves back to the prior screen or menu..

**Up, Down, Left, Right:** Used for the navigation of menus and to enter various setup modes.

**Hide:** Turns the screen black.

**Aspect:** Switch between 4:3 and 16:9 modes.

**Volume +, Volume -:** Turn the projector volume up, or down.

**Mute:** Turn the projector's sound to the lowest setting.

**Freeze:** Freezes the image on the screen.

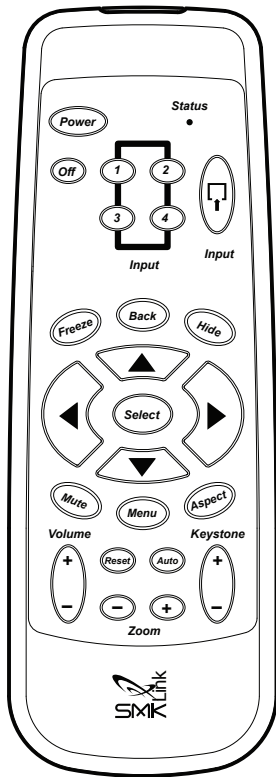
**Reset:** Send reset or exit command to projector, also used to exit setup.

**Auto:** Auto setup projector picture.

**Keystone +, Keystone -:** Correct projected image with looks like a trapezoid rather than rectangular display.



**Zoom +, Zoom -:** Zoom in on a portion of the screen. Once zoomed the arrow keys pan the window. Some models use the Volume +, Volume - to scroll left and right.



# Appendix: Library Codes List

---

## Brand

---

3M	1122 3421	1411	1413	2341	3324	3414
----	--------------	------	------	------	------	------

---

A+K	1144					
-----	------	--	--	--	--	--

---

ACER	1231	4344				
------	------	------	--	--	--	--

---

ASK	1213	1232				
-----	------	------	--	--	--	--

---

BENQ	1132	4411				
------	------	------	--	--	--	--

---

BOXLIGHT	1122 2124	1211 2324	1224 2424	1333 2431	1411	2123
----------	--------------	--------------	--------------	--------------	------	------

---

CANON	1133					
-------	------	--	--	--	--	--

---

CASIO	1121					
-------	------	--	--	--	--	--

---

COMPAQ	1334					
--------	------	--	--	--	--	--

---

DELL	1134	4232	4233			
------	------	------	------	--	--	--

---

DUKANE	1122 3414	1411 3421	1413	2242	2341	3324
--------	--------------	--------------	------	------	------	------

---

EIKI	1421					
------	------	--	--	--	--	--

---

EIZO	1144					
------	------	--	--	--	--	--

---

EPSON	1111 3132	1233 3133	2131	2132	2331	2332
-------	--------------	--------------	------	------	------	------

---

GREAT WALL	4412					
------------	------	--	--	--	--	--

---

HITACHI	1122	1234	1411	1412	1413	2133
	2134	2141	2231	2232	2233	2333
	2334	2341	2432	2433	2434	3134
	3141	3142	3143	3241	3242	3323
	3324	3331	3414	3421	3422	3441
	3442	4114	4121	4122	4123	
HP	1141					
INFOCUS	1121	1213	1313			
JVC	1142	1241	1414	2144	2234	4133
	4134					
LG	1242	2241	2441	4234		
MITSUBISHI	1143	1144				
NEC	1144					
OPTOMA	1112					
PANASONIC	1114	1243	1321	1331	2113	2114
	2121	2222	2223	2224	2321	2322
	2323	2421	2422	2423	3122	3123
	3124	3231	3232	3233	3234	3311
	3312	3313	3411	3412	3413	3434
	4112	4113	4341	4342	4343	
PHILIPS	1223					
PIONEER	1212					
PLUS	1332					
POLAROID	1411					
PROXIMA	1213					

SAMSUNG	1131 4211	2112	2314	3223	3224	4144
SANWA	3221					
SANYO	1214 1423 2242 3423	1224 2122 2324 3424	1244 2123 2424 4241	1322 2124 2431 4242	1421 2142 3144 4243	1422 2143 3211
SHARP	1123 2213 2313 3113 3214 3343 2311 4142 4332	1311 2214 2411 3114 3222 3344 4111 4143 4333	1323 2221 2412 3121 3314 3431 4124 4223 4334	1443 2244 2413 3131 3321 3432 4131 4224	1444 2311 2414 3212 3322 3433 4132 4231	2111 2312 3112 3213 3342 3443 4141 4331
SMART	1341	1342	1343			
SONY	1113 2212 2443 4213	1312 2243 3243 4214	1424 2342 3244 4244	1431 2343 3332 4311	1432 2344 3333 2344	2211 2442 4212
TOSHIBA	1221 2444 4314	1313 3111 4321	1324 3334 4312	1433 3341	1434 4312	1441 4313
VIEWSONIC	1122 3421	1411	1413	2341	3324	3414
VIVITEK	1124					
YAMAHA	1222 4323	1314 4324	1442	4221	4222	4322

