

SMK-Link™ Electronics

Universal Projector Remote Control



VP3720



Table of Contents

Regulatory Information	1
Getting Started	3
Setting your Projector	4
Entering Library Codes.....	4
Learning From Another Remote.....	5
Searching For A Code	6
Show Current Code.....	7
Factory Reset.....	8
Remote Control Layout.....	9
Appendix: Library Codes List.....	11

Regulatory Information

Regulatory Compliance

This device complies with Part 15 of the FCC Rules. Operation is subject to the following two conditions:

(1) This device may not cause harmful interference, and (2) This device must accept any interference received, including interference that may cause undesired operation.

FCC Certification

This equipment has been tested and found to comply with the limits for a Class B digital device, pursuant to Part 15 of the FCC rules. These limits are designed to provide reasonable protection against harmful interference when the equipment is operated in a residential installation. This equipment generates, uses and can radiate radio frequency energy and, if not installed and used in accordance with the instructions, may cause harmful interference to radio communications. However, there is no guarantee that interference will not occur in a particular installation. If this equipment does cause harmful interference to radio or television reception, which can be determined by turning the equipment off and on, the user is encouraged to try to correct the interference by one or more of the following measures:

- Reorient or relocate the receiving antenna.
- Increase the separation between the equipment and receiver.
- Consult the dealer or an experienced radio/TV technician for help.

Notice: Any changes or modifications not expressly approved by the party responsible for compliance could void the user's authority to operate the equipment. Extension cables are not recommended, if used, they must be shielded in order to comply with the emission limits.

IC Certification

The term "IC" before the certification/registration number only signifies that the Industry Canada technical specifications were met.

Declaration of conformity

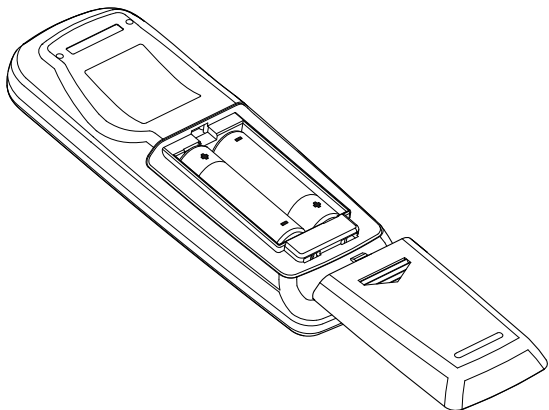
Hereby, SMK-Link Electronics Corporation declares that this product is in compliance with the essential requirements and other relevant provisions of Directive 1999/5/EC. All trademarks and registered trademarks mentioned in this document are the property of their respective owners. Features and specifications are subject to change without notice.

© 2013 SMK-Link Electronics, Inc.

Getting Started

The Universal Projector Remote control uses two AA batteries.



- Remove the battery cover by pressing down on the battery door and sliding in the direction of the arrow.
- Remove any wrapping from two AA batteries and insert them into the back of the remote control. The orientation of the batteries is indicated in the battery compartment.
- Replace the battery cover before using the remote control.



Setting your Projector

Entering Library Codes

To test a five-digit code to see if it controls your projector, please complete the following steps. Available codes are listed in the Appendix. Some brands have multiple codes which work for different models.

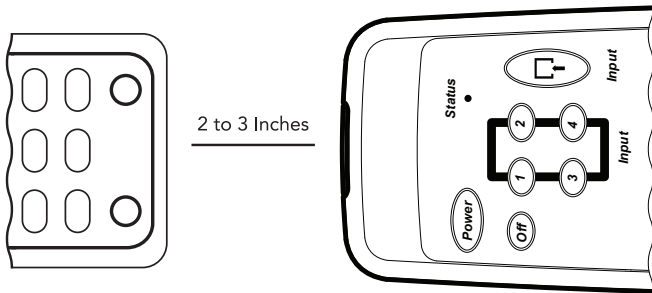
- Press and hold both the **Up** and **Down** arrows simultaneously for 3 seconds. 
- The status LED will turn off while both keys are pressed but will turn solid red after three seconds. 
- As you enter each digit of the code, the status light will briefly turn off. Do not enter the next digit until the status light is on.

After entering the code, the status light will go off. Taking longer than 30 seconds, pressing any other key or entering an invalid code will cause the status light to blink quickly three times.

Test your library choice to make sure it is working. If it is not working, try the next code. Not all keys will be supported for all models. Unused keys can be customized or ignored.

Learning From Another Remote

If you have access to the original remote control for your projector or wish to learn from other remote controls, place the two remote controls end pointing towards one another approximately two to three inches apart.



- To enter learning mode, press and hold both the **Left** and **Right** arrows simultaneously for 3 seconds. The status LED will turn off while both keys are pressed but will turn solid red after three seconds.
- Repeat the following steps until you are done customizing.
 - Tap the key you wish to customize on your Universal Projector

Remote. The status LED will flash.

- On the other remote control, press and hold the key you wish the Universal Projector Remote to learn.
- If learning was successful, the status LED will flash once. If learning was unsuccessful, the status LED will flash three times.
- Once you are done customizing, wait 30 seconds to exit learning mode.

Searching For A Code

If you have tried all of the codes for your projector and are unable to find a match, you can also search the entire database quickly for a compatible code.

- Turn the projector on and wait for it to warm up.
- Press and hold both the **Up** and **Down** arrows simultaneously for 3 seconds.
- The status LED will turn off while both keys are pressed but will turn solid red after three seconds.

- Press the **Menu** key to enter Automatic Code Search mode. The LED will blink off one second and turn on again.



- Press the **Zoom +** key to search through codes from the beginning of the Library in ascending order.



Zoom

- Press the **Zoom -** key to search through codes from the beginning of the Library in descending order.

- Every time the **Zoom +** or **Zoom -** key is pressed, the IR code corresponding to the **Menu** key will be transmitted for one second.

- If the projector brings up the menu screen, press the **Select** key to store, the current code.

- If no key is pressed for 30 seconds or a key other than **Zoom +** or **Zoom -** is pressed, the LED will flash 8 times and searching will be cancelled.

Show Current Code

Complete the following steps to display the current library code.

- Press and hold both the **Up** and **Down** arrows simultaneously for 3 seconds.
- The status LED will turn off while both keys are pressed but will turn solid red after three seconds.
- Press Select, wait one second then press Select a second time.

The LED will then flash the code digit by digit with a one second delay between each digit. The library code 1 1 2 1 3 would blink the status LED.

Flash [Delay] Flash [Delay] Flash Flash [Delay] Flash [Delay] Flash Flash Flash

Factory Reset

The Universal Projector Remote Control can be reset to factory default. All user programmed codes and learned codes will be erased.

- Press and hold both the **Up** and **Down** arrows simultaneously for 3 seconds.
- The status LED will turn off while both keys are pressed but will turn solid red after three seconds.
- Press the **Off** key
- Wait one second then press the **Reset** key.

Factory default settings will be set and LED will go OFF to indicate a successful factory reset.

Remote Control Layout

Note: Not all brands support all keys. Unused keys may be ignored or customized through learning.

Power: Turn the projector on. Some brands use this key for both power on and power off.

Off: Some brands of projectors have a dedicated key to turn the projector off.

1, 2, 3, 4: These are used for entering library codes or to directly select the input on some brands and models of projectors.

Input: This switches between the various input options, VGA, HDMI, Composite, etc.

Menu: Brings up the projector menu.

Select: Used to choose the currently highlighted item and to enter various setup modes.

Back: Moves back to the prior screen or menu..

Up, Down, Left, Right: Used for the navigation of menus and to enter various setup modes.

Hide: Turns the screen black.

Aspect: Switch between 4:3 and 16:9 modes.

Volume +, Volume -: Turn the projector volume up or down.

Mute: Turn the projector's sound to the lowest setting.

Freeze: Freezes the image on the screen.

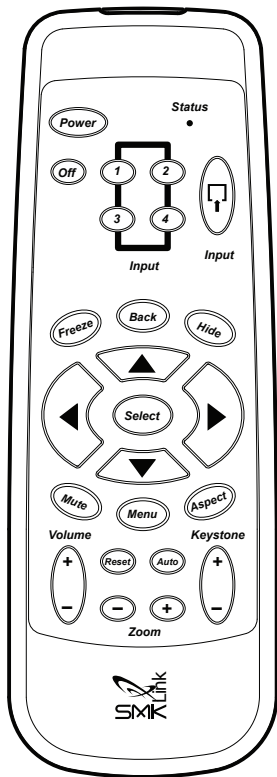
Reset: Send reset or exit command to projector, also used to exit setup.

Auto: Auto setup projector picture.

Keystone +, Keystone -: Correct projected image which looks like a trapezoid rather than rectangular display.



Zoom +, Zoom -: Zoom in on a portion of the screen. Once zoomed the arrow keys pan the window. Some models use the Volume +, Volume - to scroll left and right.



Appendix: Library Codes List

Brand

3M	11122 13421	11411 14433	11413	12341	13324	13414
A+K	11144					
ACER	11231	14344				
ASK	11213	11232				
BENQ	11132	14411	14434	14441		
BOXLIGHT	11122 12124	11211 12324	11224 12424	11333 12431	11411	12123
CANON	11133	21131				
CASIO	11121					
COMPAQ	11334					
DELL	11134	14232	14233			
DUKANE	11122 13414	11411 13421	11413	12242	12341	13324
EIKI	11421					
EIZO	11144					
EPSON	11111 13132	11233 13133	12131 14413	12132	12331	12332

Brand

GREAT WALL 14412

HITACHI	11122	11234	11411	11412	11413	12133
	12134	12141	12231	12232	12233	12333
	12334	12341	12432	12433	12434	13134
	13141	13142	13143	13241	13242	13323
	13324	13331	13414	13421	13422	13441
	13442	14114	14121	14122	14123	

HP 11141

INFOCUS 11121 11213 11313 14443

JVC	11142	11241	11414	12144	12234	14133
	14134					

KINDERMAN 14422 14423 14424 14431 14432

LG 11242 12241 12441 14234

MITSUBISHI 11143 11144 21132

NEC 11144 21111

OPTOMA 11112 11344 14414 14421 14444

Brand

PANASONIC	11114	11243	11321	11331	12113	12114
	12121	12222	12223	12224	12321	12322
	12323	12421	12422	12423	13122	13123
	13124	13231	13232	13233	13234	13311
	13312	13313	13411	13412	13413	13434
	14112	14113	14341	14342	14343	

PHILIPS	11223					
---------	-------	--	--	--	--	--

PIONEER	11212					
---------	-------	--	--	--	--	--

PLUS	11332					
------	-------	--	--	--	--	--

POLAROID	11411					
----------	-------	--	--	--	--	--

POLYVISION	14421					
------------	-------	--	--	--	--	--

PROMETHEAN	21112	21113				
------------	-------	-------	--	--	--	--

PROXIMA	11213	21114				
---------	-------	-------	--	--	--	--

SAMSUNG	11131	12112	12314	13223	13224	14144
	14211					

SANWA	13221					
-------	-------	--	--	--	--	--

SANYO	11214	11224	11244	11322	11421	11422
	11423	12122	12123	12124	12142	12143
	12242	12324	12424	12431	13144	13211
	13423	13424	14241	14242	14243	14442
	21121					

Brand

SHARP	11123	11311	11323	11443	11444	12111
	12213	12214	12221	12244	12311	12312
	12313	12411	12412	12413	12414	13112
	13113	13114	13121	13131	13212	13213
	13214	13222	13314	13321	13322	13342
	13343	13344	13431	13432	13433	13443
	13444	14111	14124	14131	14132	14141
	14142	14143	14223	14224	14231	14331
	14332	14333	14334			

SMART	11341	11342	11343			
-------	-------	-------	-------	--	--	--

SONY	11113	11312	11424	11431	11432	12211
	12212	12243	12342	12343	12344	12442
	12443	13243	13244	13332	13333	14212
	14213	14214	14244	14311		

TOSHIBA	11221	11313	11324	11433	11434	11441
	12444	13111	13334	13341	14312	14313
	14314	14321				

VIEWSONIC	11122	11411	11413	12341	13324	13414
	13421	21122	21123	21124		

VIVITEK	11124					
---------	-------	--	--	--	--	--

YAMAHA	11222	11314	11442	14221	14222	14322
	14323	14324				



SMK-Link Electronics

www.smklink.com

3601-B Calle Tecate, Camarillo, CA 93012, USA

Phone: (888) 696-3500

Email: pcsupport@smkusa.com

